

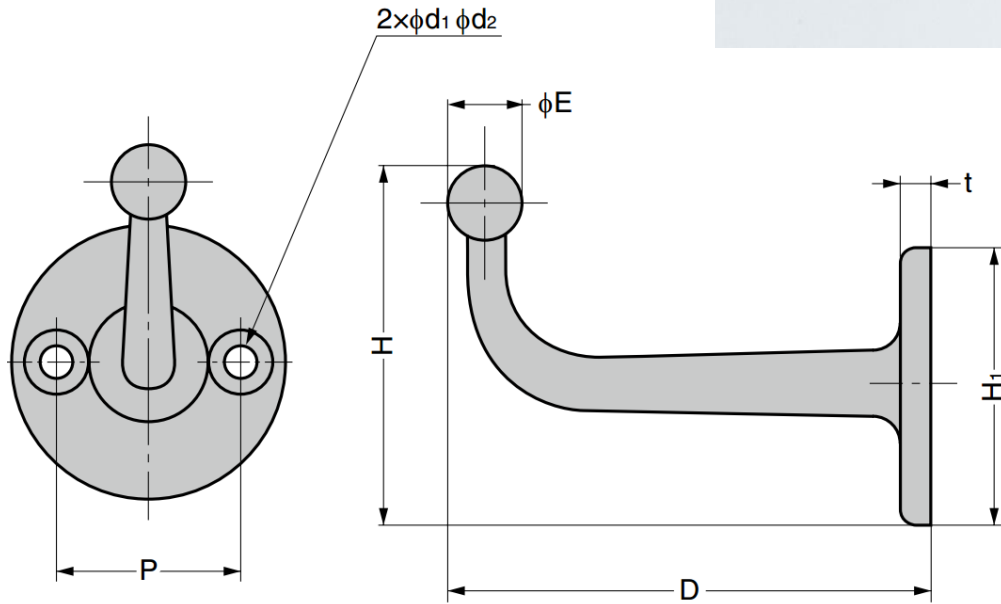
GFC Hook

Features

- Rounded tip provides safety
- Available in titanium or stainless steel material
- Titanium handle variant hardly causes metal allergy
- Titanium screws available on request

Parts Included

- Raised countersunk head wood screw (SUS)



Part No.	Material	Finish	D	H	H ₁	t	P	d ₁	d ₂	E	Load Capacity	
GFC-50TI	Titanium	Shot Blast	47	37	28	3	18.5	3.3	6.5	6.5	222 N	23 kg
GFC-60TI			65	44	35	4	22.5	4.2	8	8	294 N	30 kg
GFC-50	Stainless Steel 304	Polished	47	37	28	3	18.5	3.3	6.5	6.5	98 N	10 kg
GFC-65			65	44	35	4	22.5	4.2	8	8	117.6 N	12 kg